

PARTS LIST

[KD-S670]

* All printed circuit boards and its assemblies are not available as service parts.

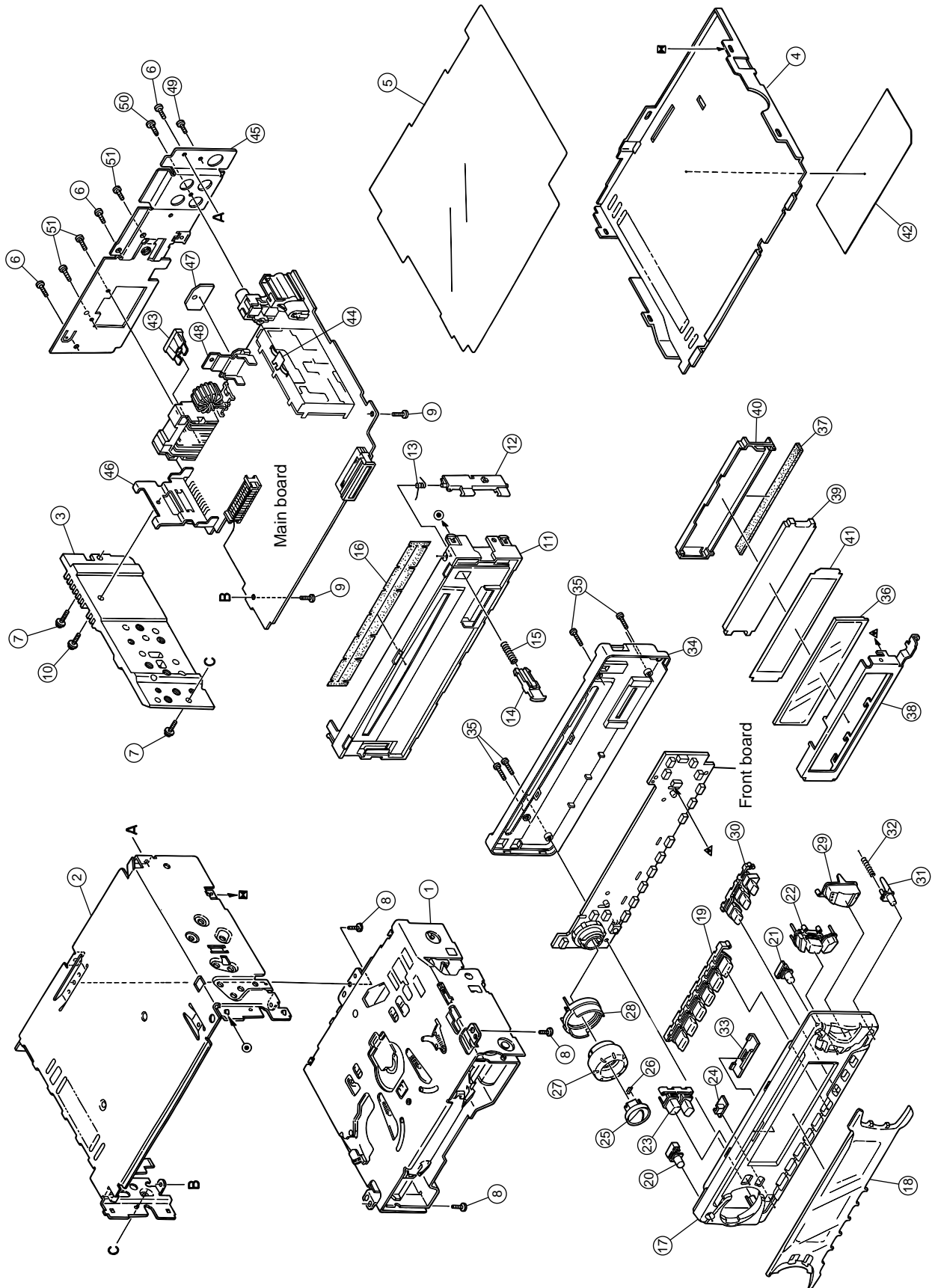
Area suffix
 J ----- Northern America

- Contents -

Exploded view of general assembly and parts list	3- 2
CD mechanism assembly and parts list	3- 4
Electrical parts list	3- 7
Packing materials and accessories parts list	3-12

Exploded view of general assembly and parts list

Block No. M 1 M M



■ Parts list (General assembly)

Block No. M1MM

△	Item	Parts number	Parts name	Q'ty	Description	Area
	1	-----	CD MECHA	1	TN-CCD1001Z	
	2	FSJC1029-401	TOP CHASSIS	1		
	3	FSMH3001-204	SIDE PANEL	1		
	4	FSKM3011-002	BOTTOM COVER	1		
	5	FSMA3004-003	INSULATOR	1		
	6	QYSDST2604Z	SCREW	3	CHASSIS+MECHA B	
	7	FSKZ4005-001	SCREW	2	CHASSIS+SIDE PA	
	8	QYSDST2604Z	SCREW	3	CHASSIS+REAR BK	
	9	QYSDST2606Z	SCREW	2	CHASSIS+MAIN PW	
	10	FSKZ4005-001	SCREW	1	SIDE PANEL+IC B	
	11	FSJC2013-003	FRONT CHASSIS	1		
	12	FSKS3010-001	LOCK LEVER	1		
	13	FSKW4005-003	TORSION SPRING	1	FOR LOCK LEVEL	
	14	FSXP3026-002	RLS KNOB	1		
	15	FSKW3002-015	COMP.SPRING	1		
	16	FSPK3009-001	BLIND	1		
	17	GE10003-001A	FRONT PANEL	1		
	18	GE30111-001A	FINDER ASSY	1		
	19	GE20104-001A	PRESET BUTTON	1		
	20	GE30105-002A	POWER BUTTON	1		
	21	GE30109-002A	EJECT BUTTON	1		
	22	GE20110-004C	D.FUNC BUTTON	1	FM/CD/AM	
	23	GE30112-001A	PUSH BUTTON(2)	1		
	24	GE40102-001A	REMOTE LENS	1		
	25	GE30102-001A	SEL BUTTON	1		
	26	FSYH4036-032	SHEET	1	FOR SEL BUTTON	
	27	GE30103-001B	KNOB	1		
	28	GE30104-001A	RIM LENS	1		
	29	GE20109-001C	UP/DOWN BUTTON	1		
	30	GE30106-001A	SND FUNC BUTTON	1		
	31	FSXP3055-001	DETACH BUTTON	1		
	32	FSKW3002-012	COMP. SPRING	1	FOR DETACH BUTT	
	33	GE30117-001A	LIGHT LENS	1		
	34	GE10004-001A	REAR COVER	1		
	35	VKZ4777-001	MINI SCREW	4	FRONT+REAR	
	36	QLD0162-001	LCD	1		
	37	QNZ0442-001	RUBBER CONNE	1		
	38	GE30107-001A	LCD CASE	1		
	39	FSJK3035-001	LCD LENS	1		
	40	FSKS3022-002	LENS CASE	1		
	41	FSYH4078-001	LIGHTING SHEET	1		
	42	GE30141-002A	MAME PLATE	1		
	43	QMFZ047-150-T	FUSE	1		
△	44	VMA4652-001SS	EARTH PLATE	1		
	45	FSKM3010-020	REAR BRACKET	1		
	46	FSKL4024-001	IC BRACKET	1		
	47	GE40104-002B	HEAT SINK	1		
	48	GE40103-001A	REGULAT.BRACKET	1		
	49	QYSDST2606Z	SCREW	1	FOR ANT	
	50	QYSDSF3006Z	SCREW	1	FOR LINE OUT	
	51	QYSDST2606Z	SCREW	3	16P & REG BKT	

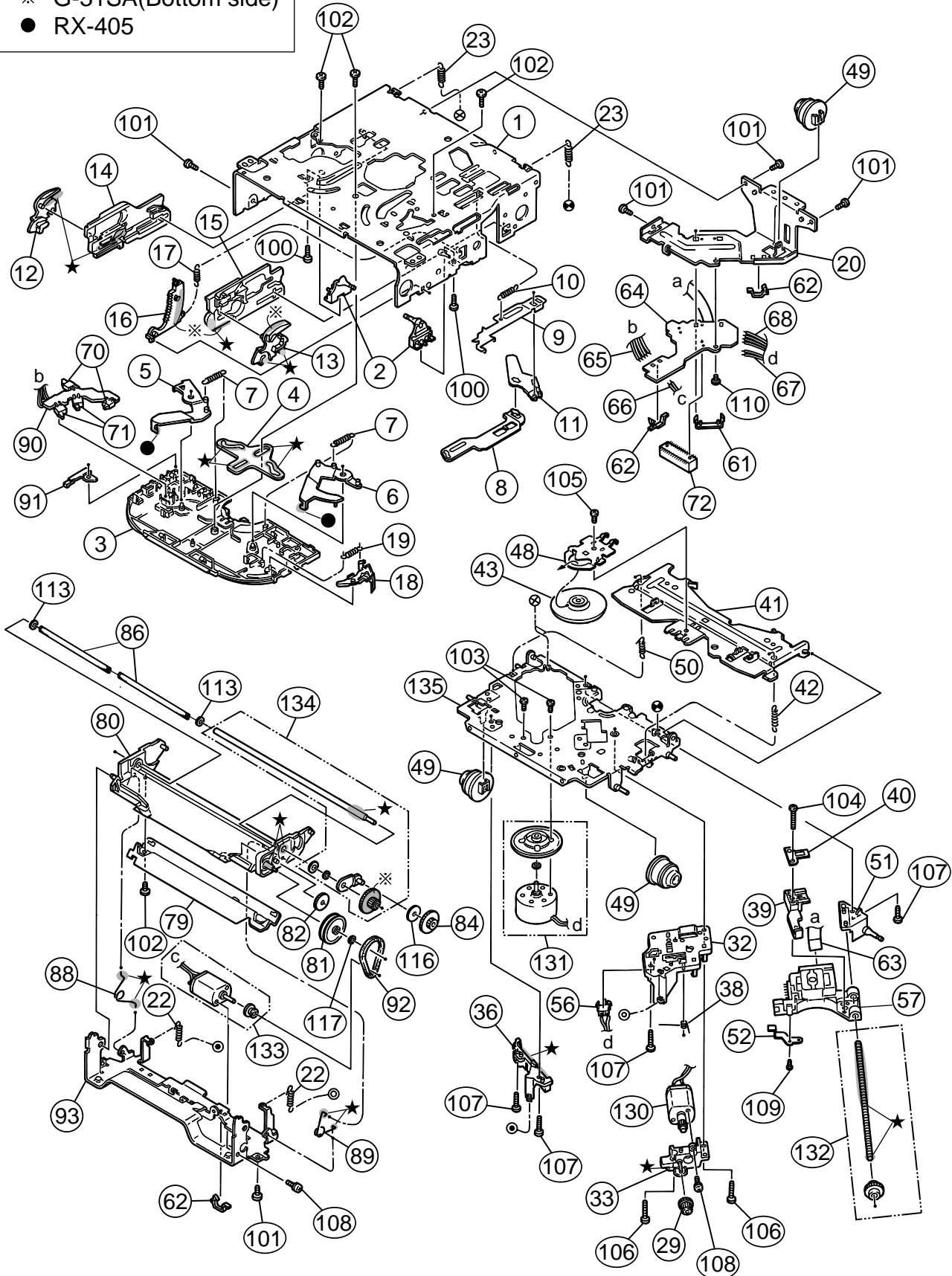
CD mechanism assembly and parts list

TN-CCD1001Z-136J

Block No. M 2 M M

Grease

- ★ G-31SA
- ※ G-31SA(Bottom side)
- RX-405



■ Parts list (CD mechanism)

Block No. M2MM

△	Item	Parts number	Parts name	Q'ty	Description	Area
	1	30310101T	FRAME	1		
	2	30310103T	DANPER PIN	2		
	3	30310107T	UPPER PLATE	1		
	4	30310108T	SEL STOP PLATE	1		
	5	30310142T	SEL ARM (L)L	1		
	6	30310143T	SEL ARM (R)L	1		
	7	30310145T	S ARM SPRING(L)	2		
	8	30310112T	TRIG LEVER	1		
	9	30310155T	TRIG PL(Z)	1		
	10	30310115T	TRIG PL SPRING	1		
	11	30310116T	TRIG ARM	1		
	12	30310134T	FIX ARM (L)B	1		
	13	30310159T	FIX ARM (R)Z	1		
	14	30310150T	FIX PL (L)Z	1		
	15	30310156T	FIX PL (R) Z	1		
	16	30310138T	LDG GR (6)B	1		
	17	30310122T	LDG GEAR (6)SP	1		
	18	30310148T	S.L ARM(N)	1		
	19	30310125T	S.L ARM SPRING	1		
	20	30310149T	REAR DAM BKT(Z)	1		
	22	30310151T	HUNG UP SP (FZ)	2		
	23	30310129T	HUNG UP SP (R)	2		
	29	30300510T	PU GEAR(B)	1		
	32	30310544T	F.M.BASE(Z)	1		
	33	30310547T	FD GR BLK(Z)	1		
	36	30310546T	PU GUIDE(Z)	1		
	38	30310533T	THRUST SPR(M)	1		
	39	30310548T	PU M NUT(Z)	1		
	40	30310512T	NUT PUSH SPR PL	1		
	41	30310558T	CLP ARM(Z)	1		
	42	30310514T	CLP ARM SPRING	1		
	43	30310552T	CLAMPER(Z)	1		
	48	30310557T	CLAMPER PLATE(Z)	1		
	49	30310524T	DAMPER (J)	3		
	50	30310525T	CLP ARM SPR (L)	1		
	51	30310545T	F SCREW GUIDE(Z)	1		
	52	30310556T	PU G.SP PLT(Z)	1		
	56	64180405T	DET SW	1	ESE11SF4	
	57	OPTIMA-720L1	C.D PICK (CAR)	1		
	61	30311035T	FPC HOLDER(Z)	1		
	62	19501403T	WIRE CLAMPER	3		
	63	30311037T	PICK UP FPC(Z)	1		
	64	30311036T	CONNECT.PCB(Z-J)	1		
	65	30311038T	WIRE (5P-Z)	1		
	66	30311039T	WIRE (LD-Z)	1		
	67	30311040T	WIRE (FD-Z)	1		
	68	30311041T	WIRE (RS-Z)	1		
	70	64180402T	DET SWITCH	2	ESE22MH1	

■ Parts list (CD mechanism)

Block No. M2MM

△	Item	Parts number	Parts name	Q'ty	Description	Area
	71	64180403T	DET SWITCH	2	ESE22MH3	
	72	68150232T	CONNECTOR	1	TKC-W26X-C1	
	79	30311105T	SOPPORT PLATE	1		
	80	30311138T	GR MT BLK(N)	1		
	81	30311109T	LDG GEAR (2)	1		
	82	30311110T	LDG GEAR (3)	1		
	84	30311112T	LDG GEAR (5)	1		
	86	30311136T	LDG ROLLER	2		
	88	30311118T	L.P SPRING (L)	1		
	89	30311119T	L.P SPRING (R)	1		
	90	30311123T	SW PCB	1		
	91	30311124T	SW ACTUATOR	1		
	92	30311129T	LDG BELT	1		
	93	30311140T	FRONT BRKT (J)	1		
	100	9C0620503T	C B TAP SCREW	2	M2X5	
	101	9C2020401T	C SCREW TS.G	5	M2X4	
	102	9C4320403T	C B TAP SCREW	4	M2X4	
	103	9C0117223T	SCREW	2	M1.7X2.2	
	104	9C0917703T	C TAP SCREW S3	1	M1.7X7	
	105	9C0320201T	C TAP SCREW S3	1	M2X2	
	106	9C4920013T	C TAP SCREW S3	2	M2X10	
	107	9C4920603T	C TAP SCREW B3	4	M2X6	
	108	9P0220031T	TAMS SCREW	2	M2X3	
	109	9C0314203T	C TAP SCREW	1	M1.4X2	
	110	9C0420253	C TAP SCREW	1	M2X2.5	
	113	9W0330276	NW BLUE	2	2.9X5X0.3	
	116	9W0725030T	LUMILAR W	1	2.3X9.8X0.25	
	117	9W0640030T	WASHER	1	1.4X3.2X0.4	
	130	303105310T	FEED MO ASSY	1		
	131	303105311T	SPINDLE MO ASSY	1		
	132	303105312T	FEED SCREW ASSY	1		
	133	303111301T	LDG MOTOR ASSY	1		
	134	303111302T	RDG RLR SFT ASY	1		
	135	303105502T	T.T.BASE ASSY	1		

■ Electrical parts list (Main board)

Block No. 01

△	Item	Parts number	Parts name	Remarks	Area
	C 122	QEKJ0JM-476Z	E CAPACITOR	47MF 20% 6.3V	
	C 123	NCB31EK-473X	C CAPACITOR		
	C 124	QEKJ1HM-224Z	E CAPACITOR	.22MF 20% 50V	
	C 125	QEKJ1HM-105Z	E CAPACITOR	1.0MF 20% 50V	
	C 126	NCS31HJ-151X	C CAPACITOR		
	C 156	QEKJ1CM-107Z	E CAPACITOR	100MF 20% 16V	
	C 302	QFLA1HJ-822Z	M CAPACITOR	8200PF 5% 50V	
	C 303	QFV61HJ-184Z	MF CAPACITOR	.18MF 5% 50V	
	C 304	QFV61HJ-224Z	MF CAPACITOR	.22MF 5% 50V	
	C 305	QFV61HJ-333Z	MF CAPACITOR	.033MF 5% 50V	
	C 306	QFLA1HJ-562Z	M CAPACITOR	5600PF 5% 50V	
	C 307	QERF1EM-475Z	E CAPACITOR	4.7MF 20% 25V	
	C 308	QERF1EM-475Z	E CAPACITOR	4.7MF 20% 25V	
	C 309	QEKJ1AM-107Z	E CAPACITOR	100MF 20% 10V	
	C 310	NCB31HK-103X	C CAPACITOR		
	C 311	QEKJ1AM-107Z	E CAPACITOR	100MF 20% 10V	
	C 312	QEKJ1CM-476Z	E CAPACITOR	47MF 20% 16V	
	C 314	NCB31HK-223X	C CAPACITOR		
	C 315	QEKJ1CM-107Z	E CAPACITOR	100MF 20% 16V	
	C 316	NCB31HK-223X	C CAPACITOR		
	C 317	QEKJ1EM-475Z	E CAPACITOR	4.7MF 20% 25V	
	C 318	QEKJ1EM-475Z	E CAPACITOR	4.7MF 20% 25V	
	C 319	QEKJ1HM-105Z	E CAPACITOR	1.0MF 20% 50V	
	C 320	QEKJ1HM-105Z	E CAPACITOR	1.0MF 20% 50V	
	C 321	NCB31HK-221X	C CAPACITOR		
	C 322	NCB31HK-221X	C CAPACITOR		
	C 327	QEKJ1CM-226Z	E CAPACITOR	22MF 20% 16V	
	C 328	NCB31EK-104X	C CAPACITOR		
	C 329	NCB31EK-104X	C CAPACITOR		
	C 331	NDC31HJ-101X	C.CAPACITOR		
	C 352	QEKJ1EM-475Z	E CAPACITOR	4.7MF 20% 25V	
	C 353	NCS31HJ-151X	C CAPACITOR		
	C 354	NCS31HJ-821X	C CAPACITOR		
	C 355	QEKJ0JM-476Z	E CAPACITOR	47MF 20% 6.3V	
	C 402	QFLA1HJ-822Z	M CAPACITOR	8200PF 5% 50V	
	C 403	QFV61HJ-184Z	MF CAPACITOR	.18MF 5% 50V	
	C 404	QFV61HJ-224Z	MF CAPACITOR	.22MF 5% 50V	
	C 405	QFV61HJ-333Z	MF CAPACITOR	.033MF 5% 50V	
	C 406	QFLA1HJ-562Z	M CAPACITOR	5600PF 5% 50V	
	C 407	QERF1EM-475Z	E CAPACITOR	4.7MF 20% 25V	
	C 408	QERF1EM-475Z	E CAPACITOR	4.7MF 20% 25V	
	C 419	QEKJ1HM-105Z	E CAPACITOR	1.0MF 20% 50V	
	C 420	QEKJ1HM-105Z	E CAPACITOR	1.0MF 20% 50V	
	C 421	NCB31HK-221X	C CAPACITOR		
	C 422	NCB31HK-221X	C CAPACITOR		
	C 427	QEKJ1CM-476Z	E CAPACITOR	47MF 20% 16V	
	C 428	NCB31EK-104X	C CAPACITOR		
	C 429	NCB31EK-104X	C CAPACITOR		
	C 431	NDC31HJ-101X	C.CAPACITOR		
	C 452	QEKJ1EM-475Z	E CAPACITOR	4.7MF 20% 25V	
	C 453	NCS31HJ-151X	C CAPACITOR		
	C 454	NCS31HJ-821X	C CAPACITOR		
	C 455	QEKJ0JM-476Z	E CAPACITOR	47MF 20% 6.3V	
	C 501	NCB31EK-103X	C CAPACITOR		
	C 502	QERF1AM-107Z	E CAPACITOR	100MF 20% 10V	
	C 503	NCS31HJ-680X	C CAPACITOR		
	C 504	QEKJ1AM-107Z	E CAPACITOR	100MF 20% 10V	
	C 505	NCB31EK-103X	C CAPACITOR		
	C 506	NDC31HJ-3R0X	C CAPACITOR		
	C 507	NCB31EK-104X	C CAPACITOR		
	C 508	QEKJ1HM-105Z	E CAPACITOR	1.0MF 20% 50V	
	C 509	NDC31HJ-101X	C.CAPACITOR		
	C 510	NCB31EK-273X	C CAPACITOR		

△	Item	Parts number	Parts name	Remarks	Area
	C 511	NCB31HK-472X	C CAPACITOR		
	C 512	NCB31HK-103X	C CAPACITOR		
	C 513	NDC31HJ-331X	C CAPACITOR		
	C 514	NCB31EK-104X	C CAPACITOR		
	C 515	NCB31EK-103X	C CAPACITOR		
	C 516	QEKJ1AM-107Z	E CAPACITOR	100MF 20% 10V	
	C 517	NCS31HJ-821X	C CAPACITOR		
	C 518	NCB31AK-224X	C CAPACITOR		
	C 519	NCB31EK-473X	C CAPACITOR		
	C 520	NDC31HJ-560X	C CAPACITOR		
	C 521	NCS31HJ-271X	C CAPACITOR		
	C 522	NCB31HK-223X	C CAPACITOR		
	C 523	NCB31HK-223X	C CAPACITOR		
	C 524	NCB31HK-102X	C CAPACITOR		
	C 525	NCB31HK-102X	C CAPACITOR		
	C 527	NCB31EK-223X	C CAPACITOR		
	C 541	QEKJ1CM-226Z	E CAPACITOR	22MF 20% 16V	
	C 542	NCB31HK-122X	C CAPACITOR		
	C 543	NCB31HK-223X	C CAPACITOR		
	C 551	QERF1AM-227Z	E CAPACITOR	220MF 20% 10V	
	C 552	NCB31EK-103X	C CAPACITOR		
	C 561	NCB31EK-103X	C CAPACITOR		
	C 562	NCB31EK-103X	C CAPACITOR		
	C 563	NCB31HK-471X	C CAPACITOR		
	C 564	NCB31HK-223X	C CAPACITOR		
	C 565	NCB31HK-223X	C CAPACITOR		
	C 566	NCB31AK-334X	C CAPACITOR		
	C 567	QERF1AM-107Z	E CAPACITOR	100MF 20% 10V	
	C 568	NCB31EK-103X	C CAPACITOR		
	C 569	NDC31HJ-100X	C CAPACITOR		
	C 570	NDC31HJ-100X	C CAPACITOR		
	C 571	NCB31EK-103X	C CAPACITOR		
	C 572	QEKJ1AM-107Z	E CAPACITOR	100MF 20% 10V	
	C 573	QEKJ0JM-227Z	E CAPACITOR	220MF 20% 6.3V	
	C 574	NCB31EK-103X	C CAPACITOR		
	C 601	QERF0JM-337Z	E CAPACITOR	330MF 20% 6.3V	
	C 602	NCB31EK-103X	C CAPACITOR		
	C 603	NDC31HJ-220X	C CAPACITOR		
	C 604	NDC31HJ-330X	C CAPACITOR		
	C 607	QEKJ1CM-106Z	E CAPACITOR	10MF 20% 16V	
	C 608	NCB31EK-104X	C CAPACITOR		
	C 609	NCB31EK-823X	C CAPACITOR		
	C 610	NCS31HJ-151X	C CAPACITOR		
	C 611	NCS31HJ-151X	C CAPACITOR		
	C 612	NCS31HJ-151X	C CAPACITOR		
	C 661	QEKJ1CM-107Z	E CAPACITOR	100MF 20% 16V	
	C 662	QEKJ0JM-476Z	E CAPACITOR	47MF 20% 6.3V	
	C 701	QEKJ1CM-106Z	E CAPACITOR	10MF 20% 16V	
	C 702	NCB31HK-223X	C CAPACITOR		
	C 704	NCB31HK-103X	C CAPACITOR		
	C 705	QEKJ1CM-106Z	E CAPACITOR	10MF 20% 16V	
	C 706	NCB31EK-333X	C CAPACITOR		
	C 707	NCB31EK-333X	C CAPACITOR		
	C 708	NCS31HJ-121X	C CAPACITOR		
	C 709	NCB31HK-103X	C CAPACITOR		
	C 710	NCS31EJ-102X	C CAPACITOR		
	C 711	QERF1HM-104Z	E CAPACITOR	.10MF 20% 50V	
	C 712	QEKJ1HM-105Z	E CAPACITOR	1.0MF 20% 50V	
	C 713	QEKJ1HM-105Z	E CAPACITOR	1.0MF 20% 50V	
	C 714	QERF1HM-225Z	E CAPACITOR	2.2MF 20% 50V	
	C 715	QERF1HM-104Z	E CAPACITOR	.10MF 20% 50V	
	C 716	QERF1HM-104Z	E CAPACITOR	.10MF 20% 50V	
	C 717	NCB31HK-102X	C CAPACITOR		

■ Electrical parts list (Main board)

Block No. 01

△	Item	Parts number	Parts name	Remarks	Area	△	Item	Parts number	Parts name	Remarks	Area
	C 718	QERF1AM-227Z	E CAPACITOR	220MF 20% 10V			Q 661	UN2111-X	TRANSISTOR		
	C 721	QETB1CM-477	E CAPACITOR	470MF 20% 16V			Q 662	UN2111-X	TRANSISTOR		
	C 901	QEZ0337-228	E CAPACITOR	2200MF			Q 701	UN2211-X	TRANSISTOR		
	C 902	NCB31HK-103X	C CAPACITOR				Q 702	2SD601A/R/-X	TRANSISTOR		
	C 903	QEKJ1CM-226Z	E CAPACITOR	22MF 20% 16V			Q 703	2SD601A/R/-X	TRANSISTOR		
	C 904	QEKJ1CM-226Z	E CAPACITOR	22MF 20% 16V			Q 704	2SB709A/R/-X	TRANSISTOR		
	C 905	QERF1CM-226Z	E CAPACITOR	22MF 20% 16V			Q 705	2SB1197K/QR/-X	TRANSISTOR		
	C 906	NCB31EK-104X	C CAPACITOR				Q 706	UN2211-X	TRANSISTOR		
	C 907	NCB31HK-103X	C CAPACITOR				Q 902	2SD601A/R/-X	TRANSISTOR		
	C 908	QERF1AM-227Z	E CAPACITOR	220MF 20% 10V			Q 903	2SB709A/R/-X	TRANSISTOR		
	C 909	QEKJ1CM-107Z	E CAPACITOR	100MF 20% 16V			R 121	NRSA63J-224X	MG RESISTOR		
	C 910	NCB31HK-103X	C CAPACITOR				R 122	NRSA63J-183X	MG RESISTOR		
	C 911	QERF1AM-227Z	E CAPACITOR	220MF 20% 10V			R 123	NRSA63J-102X	MG RESISTOR		
	C 912	QERF1CM-106Z	E CAPACITOR	10MF 20% 16V			R 124	NRSA63J-683X	MG RESISTOR		
	C 913	QE061EM-475Z	NP E CAPACITOR	4.7MF 20% 25V			R 126	NRSA63J-184X	MG RESISTOR		
	C 914	NCB31EK-104X	C CAPACITOR				R 127	NRSA63J-223X	MG RESISTOR		
	C 915	NDC31HJ-101X	C.CAPACITOR				R 128	NRSA63J-390X	MG RESISTOR		
	CJ321	QNN0170-001	PIN JACK (REEL)	LINE OUT			R 129	NRSA63J-562X	MG RESISTOR		
	CJ701	QNB0100-001	CAR ANT JACK				R 130	NRSA63J-473X	MG RESISTOR		
	CJ801	VMC0334-001	CONNECTOR	PANEL			R 221	NRSA63J-224X	MG RESISTOR		
	CN501	QGB2027M1-26S	CONNECTOR	CD CONNECTOR			R 301	NRSA63J-223X	MG RESISTOR		
	CN901	QNZ0002-001	16P CONNECTOR				R 302	NRSA63J-222X	MG RESISTOR		
	D 122	1SS133-T1	SI DIODE I/M				R 303	NRSA63J-473X	MG RESISTOR		
	D 123	1SS133-T1	SI DIODE I/M				R 304	NRSA63J-473X	MG RESISTOR		
	D 307	1SS133-T1	SI DIODE I/M				R 307	NRSA63J-273X	MG RESISTOR		
	D 331	1SS133-T1	SI DIODE I/M				R 308	NRSA63J-273X	MG RESISTOR		
	D 431	1SS133-T1	SI DIODE I/M				R 314	NRSA63J-102X	MG RESISTOR		
	D 551	DSK10C-T1	DIODE				R 316	NRSA63J-473X	MG RESISTOR		
	D 604	1SS133-T1	SI DIODE I/M				R 317	NRSA63J-471X	MG RESISTOR		
	D 605	1SS133-T1	SI DIODE I/M				R 331	NRSA63J-102X	MG RESISTOR		
	D 610	1SS133-T1	SI DIODE I/M				R 332	NRSA63J-101X	MG RESISTOR		
	D 661	UDZ11B-X	Z.DIODE				R 335	NRSA63J-222X	MG RESISTOR		
	D 662	1SS133-T1	SI DIODE I/M				R 351	NRSA63J-203X	MG RESISTOR		
	D 701	1SS133-T1	SI DIODE I/M				R 352	NRSA63J-152X	MG RESISTOR		
	D 702	1SS133-T1	SI DIODE I/M				R 353	NRSA63J-303X	MG RESISTOR		
	D 703	MTZJ10C-T1	ZENER DIODE				R 354	NRSA63J-123X	MG RESISTOR		
	D 704	1SS133-T1	SI DIODE I/M				R 356	NRSA63J-223X	MG RESISTOR		
	D 705	1SS355-X	DIODE				R 357	NRSA63J-223X	MG RESISTOR		
	D 706	1SS355-X	DIODE				R 401	NRSA63J-223X	MG RESISTOR		
	D 901	1N5401-TU-15	DIODE				R 402	NRSA63J-222X	MG RESISTOR		
	D 903	1SS133-T1	SI DIODE I/M				R 403	NRSA63J-473X	MG RESISTOR		
	D 905	CRS03-W	SB DIODE				R 404	NRSA63J-473X	MG RESISTOR		
	D 906	CRS03-W	SB DIODE				R 407	NRSA63J-273X	MG RESISTOR		
	IC301	TEA6320T-X	IC				R 408	NRSA63J-273X	MG RESISTOR		
	IC321	LA4743B	IC				R 431	NRSA63J-102X	MG RESISTOR		
	IC351	NJM4565M-WE	IC				R 432	NRSA63J-101X	MG RESISTOR		
	IC501	AN8806SB-W	IC				R 435	NRSA63J-222X	MG RESISTOR		
	IC541	LA6567H-X	IC				R 451	NRSA63J-203X	MG RESISTOR		
	IC561	MN35510	IC				R 452	NRSA63J-152X	MG RESISTOR		
	IC601	LC72366-9989	IC				R 453	NRSA63J-303X	MG RESISTOR		
	IC901	HA13164	IC				R 454	NRSA63J-123X	MG RESISTOR		
	L 561	QQL244J-4R7Z	INDUCTOR				R 456	NRSA63J-223X	MG RESISTOR		
	L 562	QQL244J-4R7Z	INDUCTOR				R 457	NRSA63J-223X	MG RESISTOR		
	L 601	QQL244J-4R7Z	INDUCTOR				R 501	NRSA02J-220X	MG RESISTOR		
	L 701	QQL244J-330Z	INDUCTOR				R 502	NRSA02J-220X	MG RESISTOR		
	L 901	QQR0703-001	CHOKE COIL				R 503	NRSA63J-102X	MG RESISTOR		
	Q 121	2SD601A/R/-X	TRANSISTOR				R 504	NRSA63J-392X	MG RESISTOR		
	Q 122	UN2211-X	TRANSISTOR				R 505	NRSA63J-224X	MG RESISTOR		
	Q 307	UN2211-X	TRANSISTOR				R 506	NRSA63J-223X	MG RESISTOR		
	Q 331	2SD1048/6-7/-X	TRANSISTOR				R 507	NRSA63J-332X	MG RESISTOR		
	Q 431	2SD1048/6-7/-X	TRANSISTOR				R 508	NRSA63J-563X	MG RESISTOR		
	Q 501	2SB1322/RS/-T	TRANSISTOR				R 509	NRSA63J-223X	MG RESISTOR		
	Q 541	2SA1706/ST/-T	TRANSISTOR				R 510	NRSA63J-154X	MG RESISTOR		

■ Electrical parts list (Main board)

Block No. 01

△	Item	Parts number	Parts name	Remarks	Area
	R 511	NRSA63J-274X	MG RESISTOR		
	R 512	NRSA63J-563X	MG RESISTOR		
	R 513	NRSA63J-563X	MG RESISTOR		
	R 514	NRSA63J-123X	MG RESISTOR		
	R 515	NRSA63J-123X	MG RESISTOR		
	R 516	NRSA63J-123X	MG RESISTOR		
	R 517	NRSA63J-123X	MG RESISTOR		
	R 541	NRSA63J-102X	MG RESISTOR		
	R 542	NRSA63J-822X	MG RESISTOR		
	R 543	NRSA63J-563X	MG RESISTOR		
	R 544	NRSA63J-123X	MG RESISTOR		
	R 545	NRSA63J-332X	MG RESISTOR		
	R 546	NRSA63J-303X	MG RESISTOR		
	R 547	NRSA63J-154X	MG RESISTOR		
	R 548	NRSA63J-822X	MG RESISTOR		
	R 549	NRSA63J-203X	MG RESISTOR		
	R 550	NRSA63J-123X	MG RESISTOR		
	R 551	NRSA63J-822X	MG RESISTOR		
	R 561	NRSA63J-102X	MG RESISTOR		
	R 562	NRSA63J-102X	MG RESISTOR		
	R 563	NRSA63J-102X	MG RESISTOR		
	R 564	NRSA63J-102X	MG RESISTOR		
	R 567	NRSA63J-102X	MG RESISTOR		
	R 568	NRSA63J-102X	MG RESISTOR		
	R 569	NRSA63J-102X	MG RESISTOR		
	R 570	NRSA63J-102X	MG RESISTOR		
	R 571	NRSA63J-683X	MG RESISTOR		
	R 572	NRSA63J-105X	MG RESISTOR		
	R 573	NRSA63J-124X	MG RESISTOR		
	R 574	NRSA63J-331X	MG RESISTOR		
	R 575	NRSA63J-101X	MG RESISTOR		
	R 601	NRSA63J-103X	MG RESISTOR		
	R 603	NRSA63J-222X	MG RESISTOR		
	R 604	NRSA63J-222X	MG RESISTOR		
	R 605	NRSA63J-222X	MG RESISTOR		
	R 609	NRSA63J-103X	MG RESISTOR		
	R 610	NRSA63J-104X	MG RESISTOR		
	R 611	NRSA63J-332X	MG RESISTOR		
	R 612	NRSA63J-332X	MG RESISTOR		
	R 613	NRSA63J-473X	MG RESISTOR		
	R 614	NRSA63J-473X	MG RESISTOR		
	R 615	NRSA63J-473X	MG RESISTOR		
	R 616	NRSA63J-473X	MG RESISTOR		
	R 617	NRSA63J-331X	MG RESISTOR		
	R 618	NRSA63J-331X	MG RESISTOR		
	R 622	NRSA63J-222X	MG RESISTOR		
	R 623	NRSA63J-473X	MG RESISTOR		
	R 624	NRSA63J-102X	MG RESISTOR		
	R 625	NRSA63J-473X	MG RESISTOR		
	R 626	NRSA63J-473X	MG RESISTOR		
	R 627	NRSA63J-473X	MG RESISTOR		
	R 628	NRSA63J-473X	MG RESISTOR		
	R 630	NRSA63J-223X	MG RESISTOR		
	R 631	NRSA63J-472X	MG RESISTOR		
	R 632	NRSA63J-223X	MG RESISTOR		
	R 633	NRSA63J-472X	MG RESISTOR		
	R 634	NRSA63J-223X	MG RESISTOR		
	R 635	NRSA63J-472X	MG RESISTOR		
	R 636	NRSA63J-473X	MG RESISTOR		
	R 640	NRSA63J-473X	MG RESISTOR		
	R 641	NRSA63J-473X	MG RESISTOR		
	R 701	NRSA02J-100X	MG RESISTOR		
	R 702	NRSA63J-221X	MG RESISTOR		

△	Item	Parts number	Parts name	Remarks	Area
	R 703	NRSA02J-100X	MG RESISTOR		
	R 704	NRSA63J-103X	MG RESISTOR		
	R 705	NRSA63J-822X	MG RESISTOR		
	R 706	NRSA63J-223X	MG RESISTOR		
	R 707	NRSA63J-272X	MG RESISTOR		
	R 708	NRSA63J-272X	MG RESISTOR		
	R 709	NRSA63J-512X	MG RESISTOR		
	R 710	NRSA63J-512X	MG RESISTOR		
	R 711	NRSA02J-150X	MG RESISTOR		
	R 712	NRSA63J-102X	MG RESISTOR		
	R 713	NRSA63J-102X	MG RESISTOR		
	R 714	NRSA02J-103X	MG RESISTOR		
	R 715	NRSA63J-102X	MG RESISTOR		
	R 716	NRSA63J-152X	MG RESISTOR		
	R 717	NRSA02J-471X	MG RESISTOR		
	R 718	NRSA63J-103X	MG RESISTOR		
	R 719	NRSA63J-222X	MG RESISTOR		
	R 720	NRSA63J-103X	MG RESISTOR		
	R 721	NRSA63J-102X	MG RESISTOR		
	R 722	NRSA02J-150X	MG RESISTOR		
	R 902	QRZ0125-472X	C RESISTOR	4.7K 1/1W	
	R 903	NRSA63J-202X	MG RESISTOR		
	R 904	NRSA63J-104X	MG RESISTOR		
	R 905	NRSA63J-472X	MG RESISTOR		
	R 906	NRSA63J-472X	MG RESISTOR		
	R 907	NRSA63J-393X	MG RESISTOR		
	R 908	NRSA63J-683X	MG RESISTOR		
	R 909	NRSA63J-273X	MG RESISTOR		
	R 910	NRSA63J-473X	MG RESISTOR		
	R 920	NRSA63J-332X	MG RESISTOR		
	R 921	NRSA63J-332X	MG RESISTOR		
	R 922	NRSA63J-332X	MG RESISTOR		
	TU701	QAU0205-001	FM FRONT END		
	X 561	QAX0413-001Z	CRYSTAL		
	X 601	QAX0406-001Z	CRYSTAL		

■ Electrical parts list (Front board)

Block No. 02

△	Item	Parts number	Parts name	Remarks	Area
	C 601	NCB31HK-223X	C CAPACITOR		
	C 611	NCB31HK-123X	C CAPACITOR		
	C 681	NCB31HK-223X	C CAPACITOR		
	C 682	NCB31HK-223X	C CAPACITOR		
	CJ601	VMC0335-001	CONNECTOR		
	D 601	LNJ308G81/1-3/X	LED		
	D 602	LNJ308G81/1-3/X	LED		
	D 603	LNJ308G81/1-3/X	LED		
	D 604	LNJ308G81/1-3/X	LED		
	D 605	LNJ308G81/1-3/X	LED		
	D 606	LNJ308G81/1-3/X	LED		
	D 607	LNJ308G81/1-3/X	LED		
	D 608	LNJ308G81/1-3/X	LED		
	D 609	LNJ308G81/1-3/X	LED		
	D 610	LNJ308G81/1-3/X	LED		
	D 611	LNJ308G81/1-3/X	LED		
	D 613	LNJ308G81/1-3/X	LED		
	D 614	LNJ308G81/1-3/X	LED		
	D 615	LNJ308G81/1-3/X	LED		
	D 616	LNJ308G81/1-3/X	LED		
	D 617	LNJ308G81/1-3/X	LED		
	D 618	SML-310DT/KL-X	LED		
	D 619	LNJ308G81/1-3/X	LED		
	D 620	LNJ308G81/1-3/X	LED		
	D 621	LNJ308G81/1-3/X	LED		
	D 622	LNJ308G81/1-3/X	LED		
	D 623	LNJ308G81/1-3/X	LED		
	D 624	LNJ308G81/1-3/X	LED		
	D 625	SML-310LT/MN/-X	LED	POWER LED	
	D 641	UDZS5.1B-X	Z DIODE		
	D 642	1SS355-X	DIODE		
	D 643	1SS355-X	DIODE		
	IC601	LC75823W	IC		
	IC602	RPM6938-SV4	IC		
	JS690	QSW0793-001	ROTARY ENCODER		
	PL601	QLL0033-003	LAMP		
	PL602	QLL0033-003	LAMP		
	R 601	NRSA63J-122X	MG RESISTOR		
	R 602	NRSA63J-681X	MG RESISTOR		
	R 603	NRSA63J-911X	MG RESISTOR		
	R 604	NRSA63J-122X	MG RESISTOR		
	R 605	NRSA63J-152X	MG RESISTOR		
	R 606	NRSA63J-681X	MG RESISTOR		
	R 607	NRSA63J-561X	MG RESISTOR		
	R 608	NRSA63J-681X	MG RESISTOR		
	R 609	NRSA63J-911X	MG RESISTOR		
	R 610	NRSA63J-122X	MG RESISTOR		
	R 611	NRSA63J-152X	MG RESISTOR		
	R 612	NRSA63J-681X	MG RESISTOR		
	R 613	NRSA63J-561X	MG RESISTOR		
	R 614	NRSA63J-681X	MG RESISTOR		
	R 615	NRSA63J-911X	MG RESISTOR		
	R 616	NRSA63J-122X	MG RESISTOR		
	R 631	NRSA63J-821X	MG RESISTOR		
	R 632	NRSA63J-122X	MG RESISTOR		
	R 633	NRSA63J-122X	MG RESISTOR		
	R 634	NRSA63J-911X	MG RESISTOR		
	R 635	NRSA63J-911X	MG RESISTOR		
	R 636	NRSA63J-511X	MG RESISTOR		
	R 637	NRSA63J-511X	MG RESISTOR		
	R 638	NRSA63J-511X	MG RESISTOR		
	R 639	NRSA63J-511X	MG RESISTOR		
	R 640	NRSA63J-511X	MG RESISTOR		

△	Item	Parts number	Parts name	Remarks	Area
	R 641	NRSA63J-511X	MG RESISTOR		
	R 642	NRSA63J-821X	MG RESISTOR		
	R 643	NRSA63J-821X	MG RESISTOR		
	R 644	NRSA63J-821X	MG RESISTOR		
	R 645	NRSA63J-821X	MG RESISTOR		
	R 646	NRSA63J-821X	MG RESISTOR		
	R 647	NRSA63J-821X	MG RESISTOR		
	R 648	NRSA63J-122X	MG RESISTOR		
	R 649	NRSA63J-122X	MG RESISTOR		
	R 651	NRSA63J-222X	MG RESISTOR		
	R 652	NRSA63J-222X	MG RESISTOR		
	R 653	NRSA63J-103X	MG RESISTOR		
	R 654	NRSA63J-103X	MG RESISTOR		
	R 655	NRSA63J-103X	MG RESISTOR		
	R 656	NRSA63J-103X	MG RESISTOR		
	R 657	NRSA63J-513X	MG RESISTOR		
	R 658	NRSA63J-184X	MG RESISTOR		
	R 661	NRS181J-103X	MG RESISTOR		
	R 662	NRSA63J-471X	MG RESISTOR		
	R 681	NRSA63J-101X	MG RESISTOR		
	S 601	NSW0124-001X	TACT SW	POWER	
	S 602	NSW0124-001X	TACT SW	1	
	S 603	NSW0124-001X	TACT SW	2	
	S 604	NSW0124-001X	TACT SW	3	
	S 605	NSW0124-001X	TACT SW	4	
	S 606	NSW0124-001X	TACT SW	5	
	S 607	NSW0124-001X	TACT SW	SELECT	
	S 608	NSW0124-001X	TACT SW	LOUD	
	S 609	NSW0124-001X	TACT SW	DISP	
	S 610	NSW0124-001X	TACT SW	SCAN/RPT	
	S 611	NSW0124-001X	TACT SW	MO/RND	
	S 612	NSW0124-001X	TACT SW	EJECT	
	S 613	NSW0124-001X	TACT SW	<<	
	S 614	NSW0124-001X	TACT SW	6	
	S 615	NSW0124-001X	TACT SW	SCM	
	S 616	NSW0124-001X	TACT SW	AM	
	S 617	NSW0124-001X	TACT SW	CD	
	S 618	NSW0124-001X	TACT SW	FM	
	S 619	NSW0124-001X	TACT SW	>>	

< MEMO >

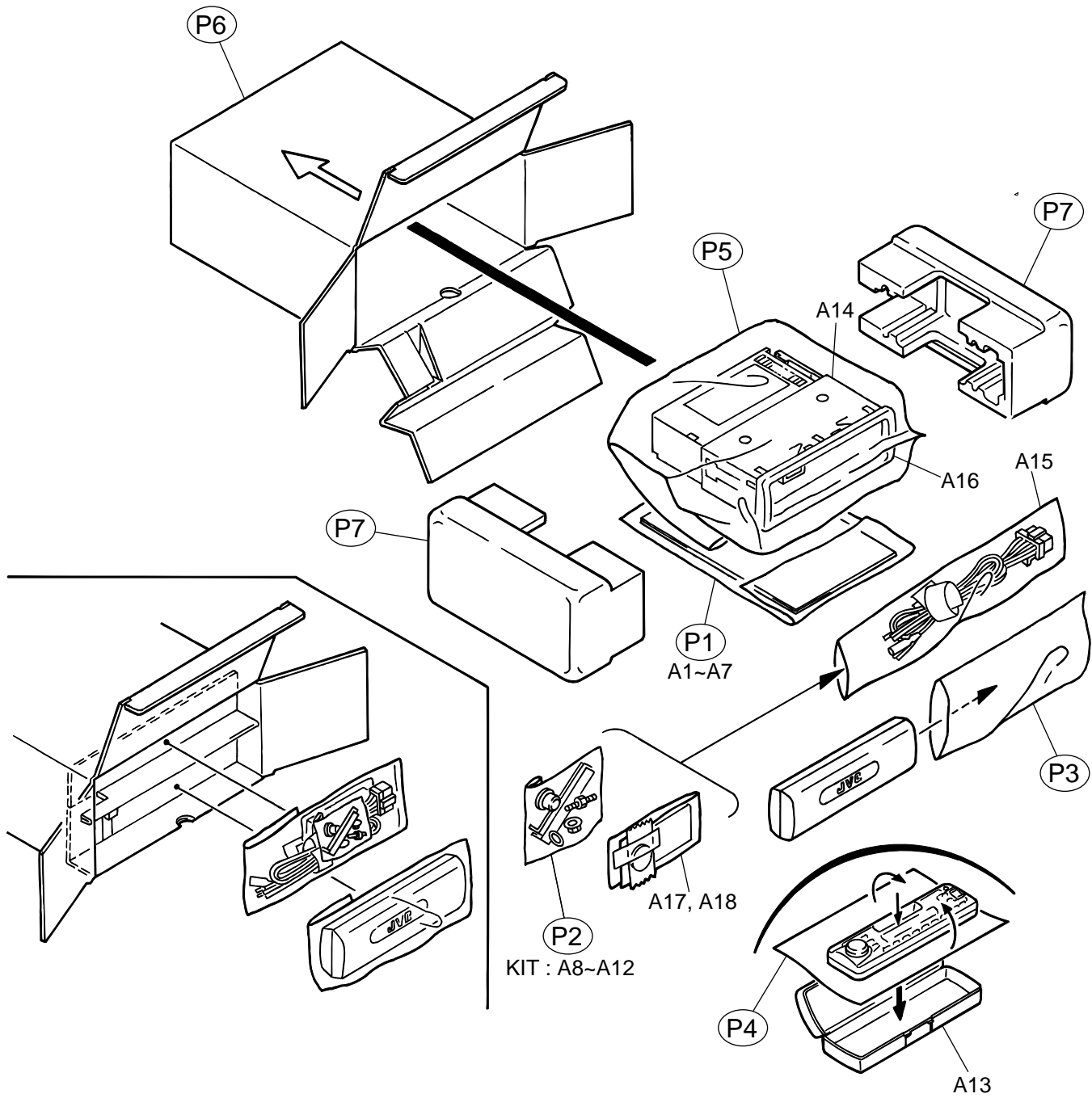
Packing materials and accessories parts list

Block No.

M	3	M	M
---	---	---	---

Block No.

M	4	M	M
---	---	---	---



■ Parts list (Packing)

Block No. M3MM

△	Item	Parts number	Parts name	Q'ty	Description	Area
	P 1	FSPG4002-001	POLY BAG	1	INST.BOOK	
	P 2	QPA00801205	POLY BAG	1		
	P 3	QPA01003003	POLY BAG	1	FOR HARD CASE	
	P 4	FSYH4036-068	SHEET	1		
	P 5	QPC03004315P	POLY BAG	1	SET(260X440X0.0	
	P 6	GE30123-006A	CARTON	1	.	
	P 7	GE10008-001A	CUSHION	2		

■ Parts list (Accessories)

Block No. M4MM

△	Item	Parts number	Parts name	Q'ty	Description	Area
	A 1	GET0011-001A	INST.BOOK	1	ENG.SPA.FRE	
	A 2	GET0011-002A	INSTALL MANUAL	1	ENG.SPA.FRE	
	A 3	LVT0717-001A	TROUBLE SHOOTIN	1		
	A 4	BT-51018-2	WARRANTY CARD	1	FOR USA ONLY	
	A 5	BT-52004-1	WARRANTY CARD	1	FOR CANADA ONLY	
	A 6	BT-51020-2	J=REGIST CARD	1	FOR USA ONLY	
	A 7	BT-20071B	JVC CENTER LIST	1	FOR CANADA ONLY	
	A 8	VKZ4027-202	PLUG NUT	1		
	A 9	VKH4871-001SS	MOUNT BOLT	1		
	A 10	VKZ4328-001	LOCK NUT	1	FOR M5	
	A 11	WNS5000Z	WASHER	1		
	A 12	FSKL4010-002	HOOK	2		
	A 13	FSJB3001-30C	HARD CASE	1		
	A 14	FSKM2004-202	MOUNTING SLEEVE	1		
	A 15	QAM0013-006	16P CORD ASS'Y	1		
	A 16	FSJD2034-001	TRIM PLATE	1		
	A 17	RM-RK31	REMOCON	1		
	A 18	QAB0014-001	BATTERY	1		
	KIT	KDGS717K-SCREW1	SCREW PARTS KIT	1	A8-A12	